



Synco™ living

Water detector

QFP910

-
- **Wireless radio sensor to record water puddles**
 - **RF communication based on KNX standard (868 MHz unidirectional)**
 - **Battery operation with standard 1.5 V batteries**

Use

- Integrates into Siemens system Synco living
- Records water puddles in wet rooms, e.g. kitchens, bathrooms, laundry rooms, etc.
- Allows the following actions depending on how the central apartment unit is configured:
 - Automatically close the shutoff valve for the main line
 - Activate interior siren
 - Sends an alarm via web on a PC or cell phone
- Deployed especially for:
 - The renovation market (old buildings, museums, churches, historical buildings, etc.)
 - Difficult wall mounting (sandstone, glass, etc.)
 - New buildings

Equipment combinations

The QFP910 can be used together with the Siemens System Synco living. Detailed information on the device combinations is available in the data sheet for the central apartment unit.

Ordering

When ordering, please specify the quantity, product name, and type code.

Delivery

The QFP910 consists of a water sensor and a radio transmitter.
Each QFP910 is delivered with alkaline batteries, mounting materials and mounting instructions.

Order numbers

Type	Stock number	Name
QFP910	S55371-C100	Water detector with installation instructions

Product documentation

Operating and commissioning instructions for the QFP910 are included in the product documentation for the central apartment unit.

Functions

Main function

During normal operation, the QFP910 sends periodically, or for change its status (dry / water leak), to the central apartment unit.
It interprets a "water leak" if the water sensor resistance drops below the lower limit value and the corresponding message is sent to the central apartment unit.
The status for the QFP910 returns to "dry" if the resistance returns above the upper limit value and a corresponding message is once again sent to the central apartment unit.
The state "water leak" is sent at one-minute intervals.
The state "dry" is sent at 15-minute intervals.

Binding

Binding logs the QFP910 on to the central apartment unit and thus integrates it into the radio system. The function button triggers the binding process. The function LED signals the process.

Status request

The function button can query the battery level. The function LED signals the battery level. It is also sent in each telegram to the central apartment unit.

RF binding test

The function button can trigger a binding test. This checks the radio link to the central apartment unit. The function LED signals the RF binding test.

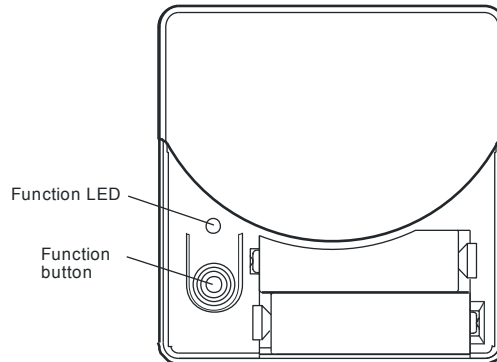
Error messages / Maintenance messages

The maintenance message (batteries low) is forwarded to the central apartment unit and displayed there.
The water sensor cannot be checked for short circuits or interrupts.
As a consequence, there are no error messages for a short circuit or sensor interrupt.

The QFP910 generates the following messages:

Error messages	Maintenance message
None	Batteries low (battery life \leq 3 months)

Operating and display elements



Overview of display and operating element functions on the QFP910:

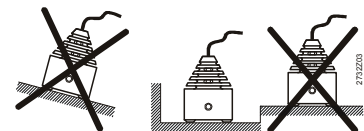
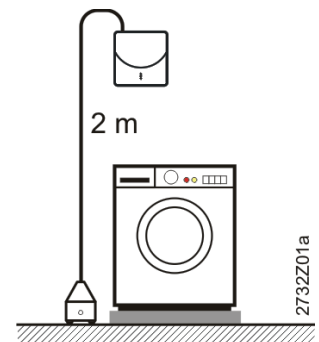
Function LED	Function button
<ul style="list-style-type: none"> • Battery level • Binding process 	<ul style="list-style-type: none"> • Battery query • Binding • RF binding test

Additional information on the function and operation of the QFP910 is available in the product documentation for the central apartment unit.

Notes on engineering and operation

Mounting location for water sensor

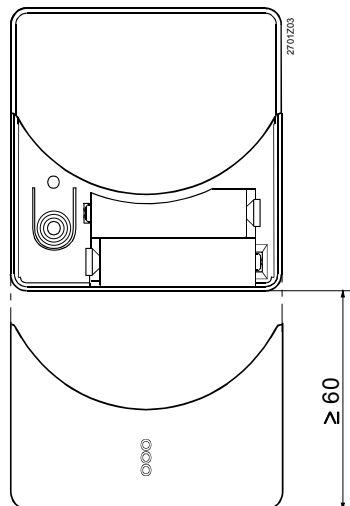
- Mount the water sensor in the building where there is water.
- The water sensor should be installed as close as possible to any potential water leak, e.g. in the laundry room, close to the washer or in the kitchen below the sink connections or input/output on the dish washer.
- The water sensor should be mounted on the wall at the lowest point so that the two contacts nearly touch the floor.
- The floor under the water sensor should be horizontal and even.



- Observe permissible ambient conditions.
- The water sensor should not be located in water puddles for longer periods as this reduces battery life for the radio components.

RF Transmitter mounting location

- Mount the RF transmitter in the building.
- Mount it close to the water sensor at a maximum of 1.8 meters above it (water sensor cable length = 2 meters).
- Do not expose to drips and permissible ambient conditions must be maintained.
- Notes on engineering and mounting RF devices for the Siemens system Synco living are available in the communications data sheet CE1N2708en.
- Mount the RF transmitter's wall base on a flat wall.
- Maintain a minimum distance of 60 mm from the bottom to open the battery compartment.



Mount

Mount the RF transmitter using a base on the wall.

The RF transmitter can be mounted in most off-the-shelf recessed conduit boxes or directly on the wall.

Note

First mount the water sensor and then the RF transmitter. Then connect the water sensor to the RF transmitter. Only then insert the batteries in the RF transmitter.

Commissioning

Prior to commissioning, check whether the water sensor is professionally installed at the recommended location and in the proper position on the wall.

Further, check whether the connecting cable is professionally connected to the corresponding terminals on the RF transmitter and whether functioning batteries are properly inserted in the RF transmitter.

Maintenance / Change battery

The QFP910 is maintenance free.

The system reports when a change of batteries is required. The batteries are located under the cover for the battery compartment. No tools are required and batteries can be changed in a mounted device (reverse battery protection).

You may have to clean the contact surfaces on the water sensor with a moist towel after the water detector reacts and the water puddle is dried out. It may trigger a "water leak" message. The message must then be acknowledged on the central apartment unit.

Disposal



The QFP910 is considered electronics device for disposal in terms of European Directive 2002/96/EG (WEEE) and may not be disposed of as domestic garbage. Comply with all relevant national and statutory regulations. Dispose of the device via the proper channels. Observe all local and applicable laws. Dispose of used batteries at the collection locations provided.

Warranty


Technical data relating to applications are guaranteed solely together with the Siemens Synco living system. Device combinations are available in the data sheet for the central apartment unit.

The user ensures the functionality of operation for the QFP910 when using third-party devices. Siemens does not provide service or guarantee services in this case.

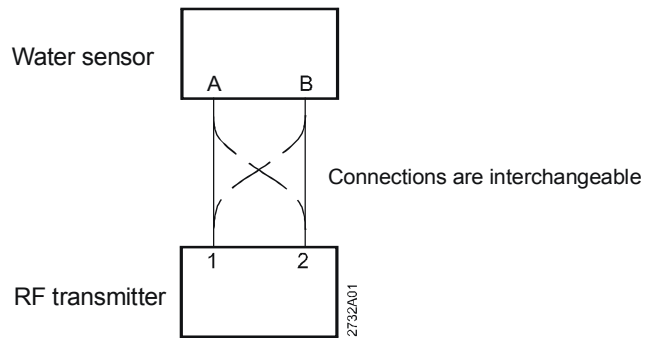
Technical data QFP910 – Water sensor

Water sensor	Cable length	2 m
	Detector response time	≤ 2 seconds

Technical data QFP910 – RF transmitter

Power supply	Battery type	2 x alkaline batteries LR6 (AA); 1.5 V		
	Battery life (capacity ≥ 2.5 Ah)	3 years (in "dry" state)		
RF	Radio Frequency	868 MHz, unidirectional		
	RF Range	Typically 30 meters inside building		
	RF protocol	KNX RF compatible 		
Electrical connection	Screw terminals for cross-section of	0.1...1.5 mm ² (connections interchangeable)		
	Cable length	Max. 10 meters		
Standards	CE Conformity to			
	EMC directive	2004/108/EC		
	- Immunity to interference, emissions	- EN 60730-1		
	Low voltage directive	2006/95/EC		
	- Electrical safety	- EN 60730-1		
RTTE (Radio & Telecom. Equipment	1999/5/EC			
	- Radio communications	- EN 300220-2, EN 301489-1, EN 301489-3		
Degree of protection	Protection class	III as per EN 60730		
	Housing	IP40 ²⁾ as per EN 60529		
	Degree of pollution	2 as per EN 60730		
Environmental compatibility	The product environmental declaration	ISO 14001 (Environment)		
	CE1E2732en contains data on	ISO 9001 (Quality)		
	environmentally compatible product design and assessments (RoHS compliance, materials composition, packaging, environmental benefit, disposal)	SN 36350 (Environmentally compatible products)		
		RL 2002/95/EC (RoHS)		
Dimensions	Refer to dimensions			
Weight	Device packaged with inserts	0.28 kg		
Housing material	Plastic ASA+PC			
Housing color	White NCS S 0502-G			
²⁾ Fully mounted				
Ambient conditions		Operation	Transport	Storage
		EN60721-3-3	EN60721-3-2	EN60721-3-1
	Environmental conditions	Class 3K5	Class 2K3	Class 1K3
	Temperature	0... +50 °C	-25... +70 °C	-20... +65 °C
	Humidity	5...95 % r.h. (non-condensing)	<95 % r.h.	5...95 % r.h.
	Mechanical conditions	Class 3M2	Class 2M2	Class 1M2
	Maximum elevation above sea level	Min. 700 hPa corresponds to a maximum of 3,000 meters above sea level		

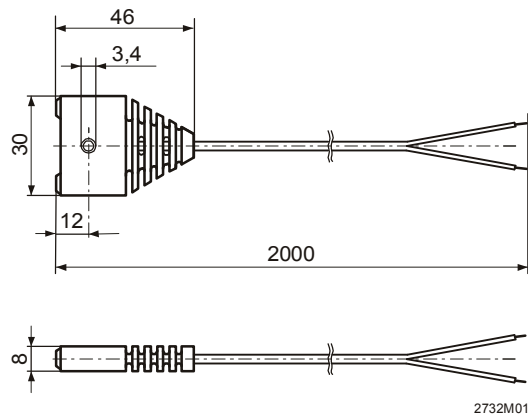
Connection diagram



Dimensions

Dimensions in mm

Water sensor



RF Transmitter

